

Rain caps

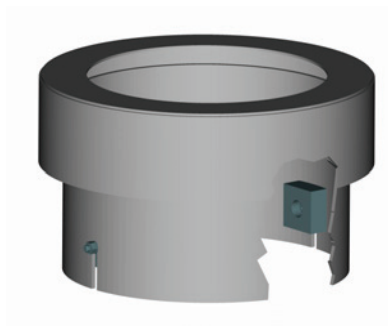
PipeCon's rain caps are found in two different types:

Type 98360 is a funnel top penetration. The penetration coaming is made with slots for the flexible elements. This makes the installation on site very easy. The coaming is made of carbon steel and the cap can be made of either carbon steel or stainless steel according to the material of the exhaust gas pipe.

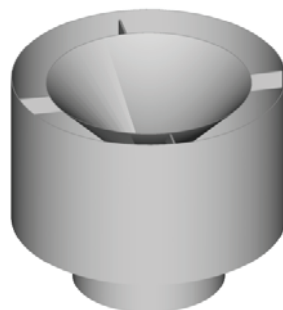
Type 98370 is a rain cap used where the exhaust gas pipes ends in vertical direction. It is installed on top of the exhaust gas pipe and is without any penetration part. To carry away rain water a drain is made in the bottom of the rain cap.

Flexible elements, type 94010 are also available as loose elements for mounting in home-made rain caps. For dimensioning, please see catalogue page no. [98351](#).

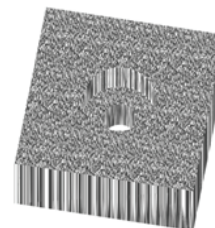
Index Technical information



Type 98360



Type 98370



Type 94010

