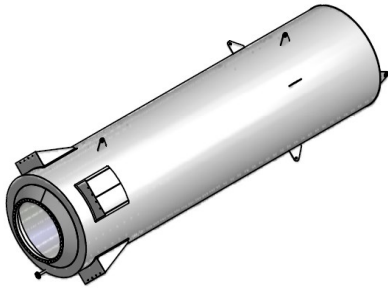


SILENCERS, CHARGE AIR AND EXHAUST

Customer: BWSC

Project: 2970 Enemalta

PipeCon ref: 13929 & 13932

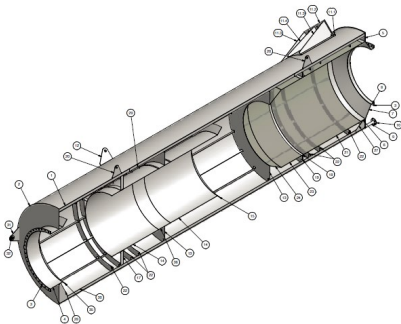


Delimara power station, Malta, needed engineering and design of silencers for both charge air and exhaust gas on a new 8-engine plant.

The engineering demanded accurate back pressure calculation and noise attenuation.

Complex ducting design with SCR, exhaust gas boiler and filter dictated intergration of ID-fan, to eliminate high back pressure. This required extra silencer in the system before stack.

PipeCon was chosen due to extensive experience, excellent track record and reputation.



PipeCon supplied:

- 16 pcs. charge air silencers
- 8 pcs. exhaust gas silencers
- 4 pcs. ID fan silencers
- Calculation of back pressure and noise attenuation
- Verification of noise attenuation

FACTS:

8 pcs Wärtsilä 16V46

Design temperature: 465 °C

Design pressur: 0,5 barg

16 pcs combustion silencers (ABS)

- DN 1000 Ø1,665 L 7,900

8 pcs exhaust gas silencers (COM)

- DN 1600 Ø2,820 L 11,000

4 pcs ID fan silencers (ABS)

- DN 2000 Ø 3,020 L 10,200

