

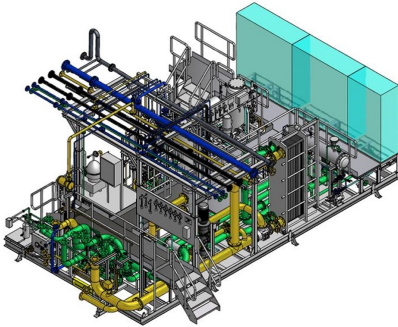
## MECHANICAL AUX. UNIT

Customer: BWSC

Project: 2002 West Sunrise

PipeCon ref: 15933

West Sunrise power plant, Grand Bahamas, required engineering, design and supply of complete aux. unit for each diesel engine. Each unit should contain all necessary equipment for independent engine operation.



The unit was designed in modules, all in dimensions fitting into standard containers, simplifying transport, hook-up and reducing erection time on site (plug and play).

Each unit supply the engine with: HFO, LO, cooling water HT/LT, starting- and service air.

Part of the design was to integrate silencers and the interface between each unit.

PipeCon was chosen due to extensive experience, excellent track record and reputation.

PipeCon supplied:

- Design, lay-out and engineering
- Steel structure
- Piping
- Charge air and exhaust gas silencers
- Equipment



### FACTS:

6 pcs. MAN 18V32/40B engines on HFO

Design temperature: 150 ° C (HFO)

Design pressure: 10 barg (water)

Design pressure: 33 barg (starting air)

Dimension approx.: WxL 4,400mm x 11,000mm

