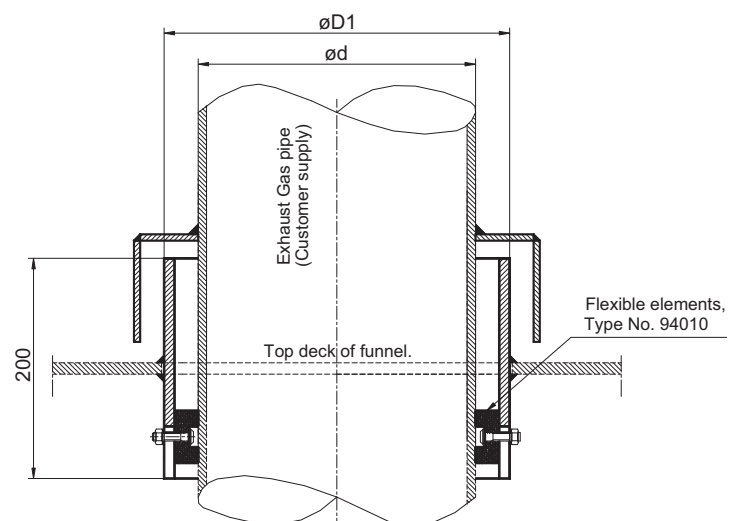


## Complete rain cap for funnel top penetration

**Stock no. 98360**



| Stock No.     | ND  | $\varnothing d$<br>Outer pipe | $\varnothing D1$<br>Penetration diameter | Weight |
|---------------|-----|-------------------------------|--|--------|
|               |     | [mm]                          | [mm]                                     |        |
| 98360-06-0080 | 80  | 88,9                          | 130                                      | 5,2    |
| 98360-06-0100 | 100 | 114,3                         | 156                                      | 6,2    |
| 98360-06-0125 | 125 | 139,7                         | 182                                      | 6,8    |
| 98360-06-0150 | 150 | 168,3                         | 210                                      | 8,9    |
| 98360-06-0200 | 200 | 219,1                         | 275                                      | 11,3   |
| 98360-06-0250 | 250 | 273,0                         | 329                                      | 13,3   |
| 98360-06-0300 | 300 | 323,9                         | 380                                      | 15,6   |
| 98360-06-0350 | 350 | 355,6                         | 412                                      | 16,7   |
| 98360-06-0400 | 400 | 406,4                         | 462                                      | 18,5   |
| 98360-06-0450 | 450 | 457,0                         | 513                                      | 20,6   |
| 98360-06-0500 | 500 | 508,0                         | 564                                      | 22,5   |
| 98360-06-0550 | 550 | 559,0                         | 615                                      | 24,3   |

| Stock No.     | ND   | $\varnothing d$<br>Outer pipe | $\varnothing D1$<br>Penetration diameter | Weight |
|---------------|------|-------------------------------|--|--------|
|               |      | [mm]                          | [mm]                                     |        |
| 98360-06-0600 | 600  | 610,0                         | 666                                      | 26,5   |
| 98360-06-0650 | 650  | 660,0                         | 716                                      | 28,3   |
| 98360-06-0700 | 700  | 711,0                         | 767                                      | 30,1   |
| 98360-06-0750 | 750  | 762,0                         | 818                                      | 31,9   |
| 98360-06-0800 | 800  | 813,0                         | 869                                      | 41,7   |
| 98360-06-0850 | 850  | 864,0                         | 920                                      | 44,1   |
| 98360-06-0900 | 900  | 914,0                         | 970                                      | 55,9   |
| 98360-06-0950 | 950  | 964,0                         | 1020                                     | 59,0   |
| 98360-06-1000 | 1000 | 1016,0                        | 1072                                     | 62,1   |
| 98360-06-1100 | 1100 | 1120,0                        | 1176                                     | 68,2   |
| 98360-06-1200 | 1200 | 1220,0                        | 1276                                     | 73,7   |

### Description:

Complete rain cap with flexible cushions for support of exhaust gas pipe.

This type to be used where exhaust gas pipe is stainless steel

For carbon steel pipe, see 98360-01-0000

### Material:

Coaming: S235JRG2

Rain cap: AISI 316 L

