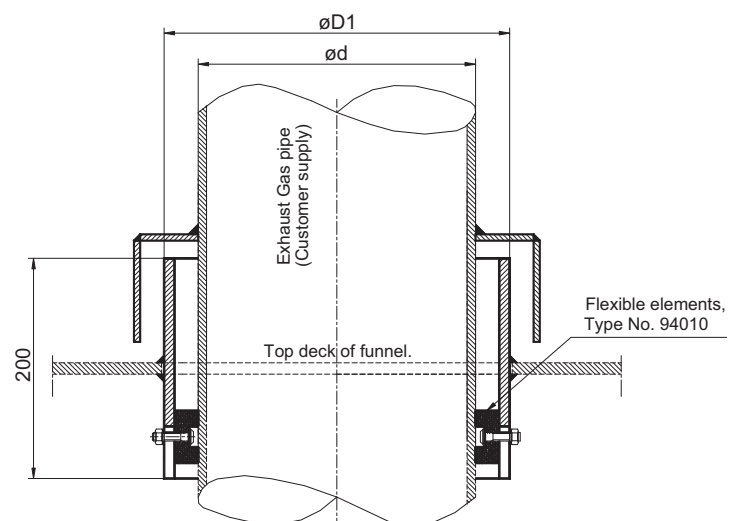


## Complete rain cap for funnel top penetration

Stock no. 98360



### Description:

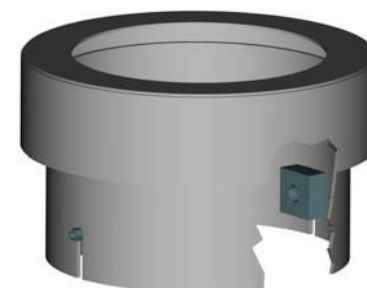
Complete rain cap with flexible cushions for support of exhaust gas pipe.

This type to be used where exhaust gas pipe is carbon steel. For stainless steel pipe, see 98360-06-0000

### Material:

Coaming: S235JRG2

Rain cap: S235JRG2



Stock No.	ND	ød Outer pipe	øD1 Penetration diameter	Weight
		[mm]	[mm]	
98360-01-0080	80	88,9	130	5,2
98360-01-0100	100	114,3	156	6,2
98360-01-0125	125	139,7	182	6,8
98360-01-0150	150	168,3	210	8,9
98360-01-0200	200	219,1	275	11,3
98360-01-0250	250	273,0	329	13,3
98360-01-0300	300	323,9	380	15,6
98360-01-0350	350	355,6	412	16,7
98360-01-0400	400	406,4	462	18,5
98360-01-0450	450	457,0	513	20,6
98360-01-0500	500	508,0	564	22,5
98360-01-0550	550	559,0	615	24,3

Stock No.	ND	ød Outer pipe	øD1 Penetration diameter	Weight
		[mm]	[mm]	
98360-01-0600	600	610,0	666	26,5
98360-01-0650	650	660,0	716	28,3
98360-01-0700	700	711,0	767	30,1
98360-01-0750	750	762,0	818	31,9
98360-01-0800	800	813,0	869	41,7
98360-01-0850	850	864,0	920	44,1
98360-01-0900	900	914,0	970	55,9
98360-01-0950	950	964,0	1020	59,0
98360-01-1000	1000	1016,0	1072	62,1
98360-01-1100	1100	1120,0	1176	68,2
98360-01-1200	1200	1220,0	1276	73,7