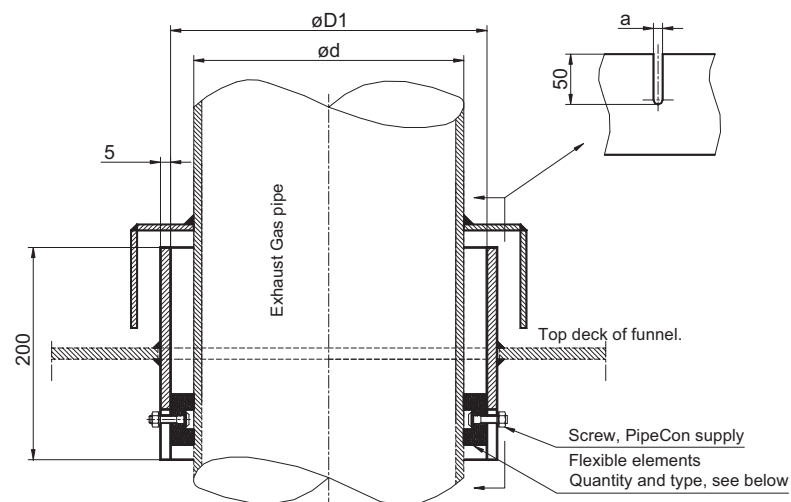


Rain cap

Dimensions



Stock no. 98351

Description:

This page is for dimensional information if you want to produce the rain cap yourself and PipeCon delivers the flexible elements.

Complete rain cap:
See page [98360](#)

ND	$\varnothing d$ Outer pipe [mm]	$\varnothing D1$ Inner dia [mm]	a [mm]	Flexible elements	
				94010-02-0019 Quantity	94010-02-0025 Quantity
80	88,9	124	7	3	
100	114,3	148	7	3	
125	139,7	174	7	4	
150	168,3	202	7	6	
200	219,1	265	9		6
250	273,0	319	9		6
300	323,9	370	9		8
350	355,6	402	9		8
400	406,4	452	9		8
450	457,0	503	9		10
500	508,0	554	9		10
550	559,0	605	9		10

ND	$\varnothing d$ Outer pipe [mm]	$\varnothing D1$ Inner dia [mm]	a [mm]	Flexible elements	
				94010-02-0019 Quantity	94010-02-0025 Quantity
600	610,0	656	9		12
650	660,0	706	9		12
700	711,0	757	9		12
750	762,0	808	9		12
800	813,0	859	9		14
850	864,0	910	9		14
900	914,0	960	9		14
950	964,0	1010	9		16
1000	1016,0	1062	9		16
1050	1070,0	1116	9		18
1100	1120,0	1166	9		18
1150	1170,0	1216	9		20
1200	1220,0	1266	9		20

