

Stock No.	Nominal Diameter	Outer pipe dia. øD	Wall thickness S	Bending radius R	Length of segment A	Weight
	[ND]	[mm]	[mm]	[mm]	[mm]	[kg]
74090-01-0300	300	323.9	4	457	122	23.2
74090-01-0350	350	355.6	4	533	143	29.7
74090-01-0400	400	406.4	4	610	163	38.9
74090-01-0450	450	457.0	4	686	184	49.3
74090-01-0500	500	508.0	4	762	204	60.9
74090-01-0550	550	559.0	4	838	224	73.7
74090-01-0600	600	611.0	5	914	245	109.6
74090-01-0650	650	660.0	5	990	265	128.6
74090-01-0700	700	711.0	5	1067	286	149.4
74090-01-0800	800	813.0	5	1219	326	195.2
74090-01-0900	900	914.0	5	1372	367	247.0
74090-01-1000	1000	1016.0	6	1524	387	365.1
74090-01-1100	1100	1120.0	6	1680	450	445.7
74090-01-1200	1200	1220.0	6	1830	490	529.6

Description:

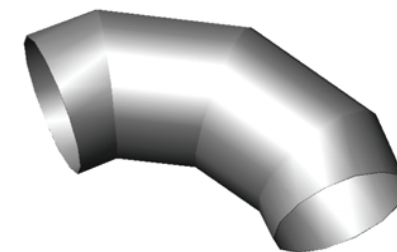
- Pre-fabricated, welded 1.5xD segment bend with dimensions according to DIN 2605-1-90-3.
- Other dimensions are available
- Tolerances according to DIN 1626.

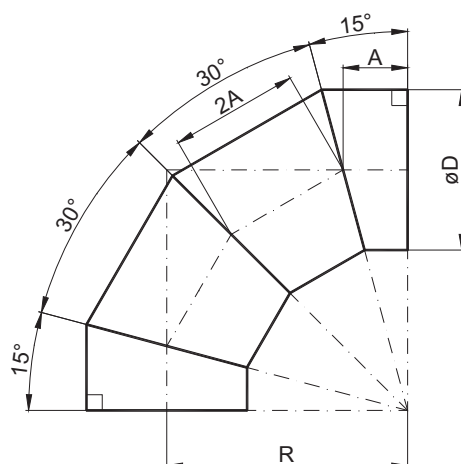
Material:

S235JRG2

Surface treatment:

- Standard is no surface treatment.
- Other surface treatment is available.





Stock No.	Nominal Diameter	Outer pipe dia. $\varnothing D$	Wall thickness S	Bending radius R	Length of segment A	Weight
	[ND]	[mm]	[mm]	[mm]	[mm]	[kg]
74090-01-1300	1300	1320.0	6	1980	530	617.5
74090-01-1400	1400	1420.0	6	2130	570	715.7
74090-01-1500	1500	1520	6	2280	611	821.1
74090-01-1600	1600	1620	8	2430	651	1242.3
74090-01-1700	1700	1720	8	2580	691	1402.0
74090-01-1800	1800	1820	8	2730	731	1571.3
74090-01-1900	1900	1920	8	2880	772	1745.6
74090-01-2000	2000	2020	8	3030	812	1933.9
74090-01-2100	2100	2120	8	3180	852	2131.9
74090-01-2200	2200	2220	8	3330	892	2334.2
74090-01-2300	2300	2320	8	3480	932	2551.2
74090-01-2400	2400	2420	8	3630	972	2777.9

Description:

- Pre-fabricated, welded 1.5xD segment bend with dimensions according to DIN 2605-1-90-3.
- Other dimensions are available
- Tolerances according to DIN 1626.

Material:

S235JRG2

Surface treatment:

- Standard is no surface treatment.
- Other surface treatment is available.

