

Stock No.	Nominal Diameter	Outer pipe dia. $\varnothing D$	Wall thickness S	Bending radius R	Length of segment A	Face to face dim. X=Y	Weight
	[ND]	[mm]	[mm]	[mm]	[mm]	[mm]	[kg]
74045-01-0300	300	323.9	4	457	91	189.3	11.5
74045-01-0350	350	355.6	4	533	106	220.8	14.7
74045-01-0400	400	406.4	4	610	121	252.7	19.3
74045-01-0450	450	457.0	4	686	136	284.2	24.4
74045-01-0500	500	508.0	4	762	151	215.6	30.1
74045-01-0550	550	559.0	4	838	166	347.1	36.5
74045-01-0600	600	611.0	5	914	182	378.6	54.3
74045-01-0650	650	660.0	5	990	197	410.1	63.6
74045-01-0700	700	711.0	5	1067	212	442.0	73.9
74045-01-0800	800	813.0	5	1219	242	504.9	96.6
74045-01-0900	900	914.0	5	1372	273	568.3	122.3
74045-01-1000	1000	1016.0	6	1524	303	631.3	271.0
74045-01-1100	1100	1120.0	6	1680	334	695.9	220.6
74045-01-1200	1200	1220.0	6	1830	364	758.0	262.1

#### Description:

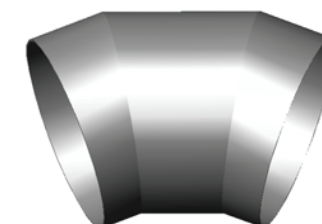
- Pre-fabricated, welded 1.5xD segment bend with dimensions according to DIN 2605-1-45-3.
- Other dimensions are available
- Tolerances according to DIN 1626.

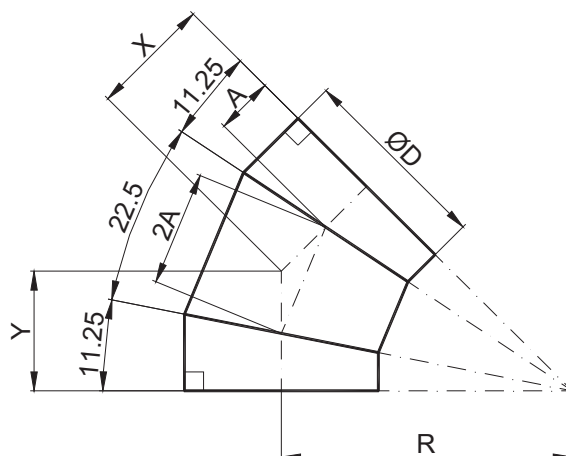
#### Material:

S235JRG2

#### Surface treatment:

- Standard is no surface treatment.
- Other surface treatment is available.





Stock No.	Nominal Diameter	Outer pipe dia. $\varnothing D$	Wall thickness S	Bending radius R	Length of segment A	Face to face dim. X=Y	Weight
	[ND]	[mm]	[mm]	[mm]	[mm]	[mm]	[kg]
74045-01-1300	1300	1320.0	6	1980	394	820.1	305.6
74045-01-1400	1400	1420.0	6	2130	423	882.3	354.2
74045-01-1500	1500	1520	6	2280	453	944.4	406.4
74045-01-1600	1600	1620	8	2430	483	1006.5	614.8
74045-01-1700	1700	1720	8	2580	513	1068.7	693.8
74045-01-1800	1800	1820	8	2730	543	1130.8	777.6
74045-01-1900	1900	1920	8	2880	573	1192.9	863.9
74045-01-2000	2000	2020	8	3030	603	1255.1	957.1
74045-01-2100	2100	2120	8	3180	633	1317.2	1055.1
74045-01-2200	2200	2220	8	3330	662	1379.3	1155.2
74045-01-2300	2300	2320	8	3480	695	1441.5	1262.6
74045-01-2400	2400	2420	8	3630	722	1503.6	1374.8

#### Description:

- Pre-fabricated, welded 1.5xD segment bend with dimensions according to DIN 2605-1-45-3.
- Other dimensions are available
- Tolerances according to DIN 1626.

#### Material:

S235JRG2

#### Surface treatment:

- Standard is no surface treatment.
- Other surface treatment is available.

