

Stock No.	Nominal Diameter	Outer pipe dia. $\varnothing D$	Wall thickness S	Bending radius R	Length of segment A	Face to face dim. X=Y	Weight
	[ND]	[mm]	[mm]	[mm]	[mm]	[mm]	[kg]
73045-01-0300	300	323.9	4	305	60.5	126	7.7
73045-01-0350	350	355.6	4	356	71	147	9.8
73045-01-0400	400	406.4	4	406	81	168	12.8
73045-01-0450	450	457.0	4	457	91	189	16.5
73045-01-0500	500	508.0	4	508	101	210	20
73045-01-0550	550	559.0	4	559	111	231	24.5
73045-01-0600	600	611.0	5	610	121.5	253	36
73045-01-0650	650	660.0	5	660	131.5	273	42
73045-01-0700	700	711.0	5	711	141.5	295	49
73045-01-0800	800	813.0	5	813	161.5	337	64
73045-01-0900	900	914.0	5	914	182	379	81
73045-01-1000	1000	1016.0	6	1016	202	421	181
73045-01-1100	1100	1120.0	6	1120	223	434	147
73045-01-1200	1200	1220.0	6	1220	242.5	505	175

#### Description:

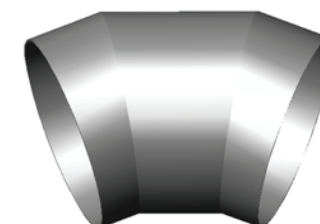
- Pre-fabricated, welded 1xD segment bend with dimensions according to DIN 2605-1-45-2.
- Other dimensions are available
- Tolerances according to DIN 1626.

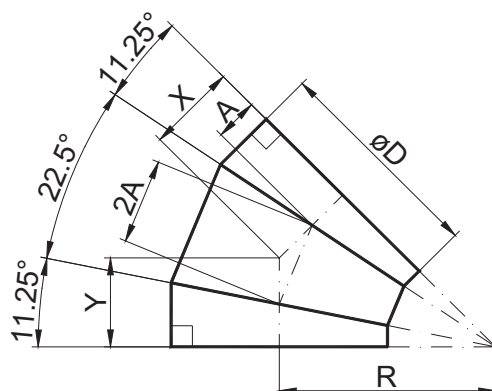
#### Material:

S235JRG2

#### Surface treatment:

- Standard is no surface treatment.
- Other surface treatment is available.





Stock No.	Nominal Diameter	Outer pipe dia. øD	Wall thickness S	Bending radius R	Length of segment A	Face to face dim. X=Y	Weight
	[ND]	[mm]	[mm]	[mm]	[mm]	[mm]	[kg]
73045-01-1300	1300	1320.0	6	1320	262.5	547	204
73045-01-1400	1400	1420.0	6	1420	282.5	588	236
73045-01-1500	1500	1520	6	1520	302.5	630	271
73045-01-1600	1600	1620	8	1620	322	671	410
73045-01-1700	1700	1720	8	1720	342	712	463
73045-01-1800	1800	1820	8	1820	362	754	518
73045-01-1900	1900	1920	8	1920	382	795	576
73045-01-2000	2000	2020	8	2020	402	837	638
73045-01-2100	2100	2120	8	2120	422	878	703
73045-01-2200	2200	2220	8	2220	442	920	770
73045-01-2300	2300	2320	8	2320	462	961	842
73045-01-2400	2400	2420	8	2420	481	1002	917

#### Description:

- Pre-fabricated, welded 1xD segment bend with dimensions according to DIN 2605-1-45-2.
- Other dimensions are available
- Tolerances according to DIN 1626.

#### Material:

S235JRG2

#### Surface treatment:

- Standard is no surface treatment.
- Other surface treatment is available.

