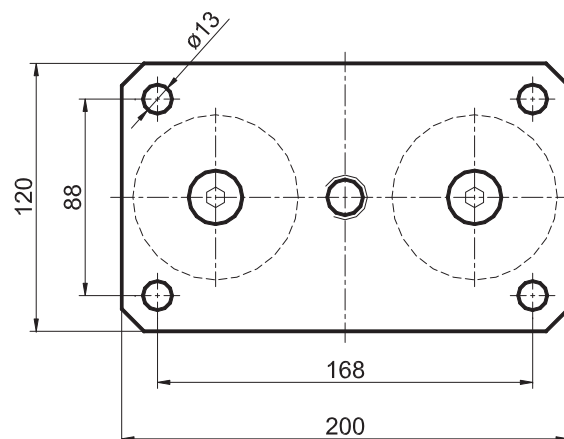
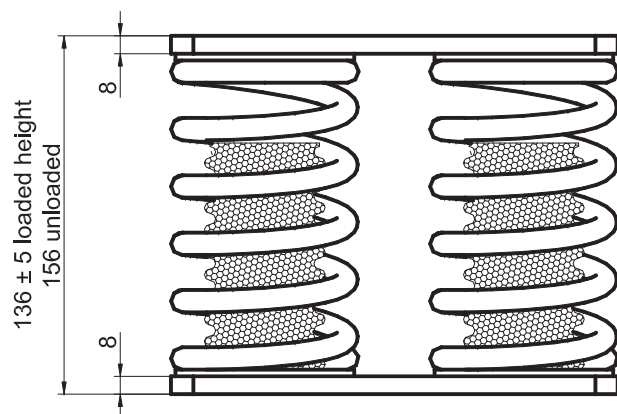


Stock no. 13000

### Description:

- Top- and bottom fixing plate: KTL coated steel
- Spring: Spring wire, phosphate coated and painted
- Damping cushion: Stainless steel wire
- Scrolls: Al-alloy
- Resonant frequency: 3-4 Hz
- Elastic limit corresponding to a maximum acceleration of:  
1.5 g in compression  
0.5 g radially



Type no.	Stock No.	Weight	Static load
		[kg]	[daN]
S 13200	13000-01-0200	4,6	140-200
S 13260	13000-01-0260	5,0	180-260
S 13320	13000-01-0320	5,4	220-320
S 13460	13000-01-0460	5,8	320-460
S 13620	13000-01-0620	6,2	440-620
S 13820	13000-01-0820	6,5	600-820

### Applications:

Isolation of rotating machines such as motors, pumps, generators, compressors, air-conditioning sets, fans, screens, hoppers, shakers, laboratory equipment, scales etc.