

**Flexible fix
point multi supports.**

All-metal type

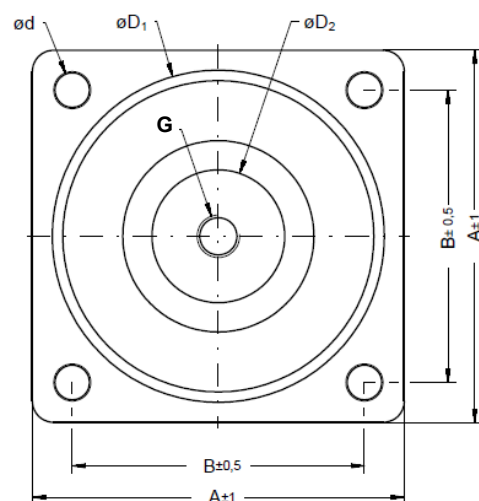
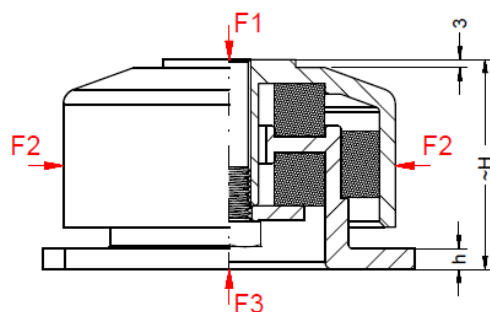
Stock no. 12015

Description

- Multiple load directions.
- High static and dynamic load bearing capacity.
- High stability
- Ageing resistance
- Natural frequency: 15 - 20 Hz

Material:

Housing:
Cast iron, black KTL painted.
All-metal cushion:
Stainless steel wire

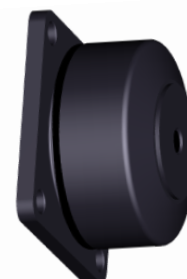


Applications

- Resilient suspension of
- rotating machines, motors, pumps, diesel electric sets
 - exhaust pipes, boilers, silencers etc.

Mounting instruction:

All bolts must be secured with Loctite 620 or equal.
Loctite 620 is only usable by temperatures lower than 220° C.
Otherwise other alternatives must be used.
Suitable for vertical mounting.



Type no.	Stock No.	A	B	H	h	G	ød	øD ₁	øD ₂	Mass	Static load [daN]			Max. dyn. load [daN]		
		[mm]	[mm]	[mm]	[mm]		[mm]	[mm]	[mm]		kg	F1	F2	F3	F1	F2
FM 1212	12015-01-0012	100	80	57	8	M12	11	93	52	1,9	50-250	250	250	500	1250	500
FM 1216	12015-01-0016	140	110	79	8	M16	13	125	50	3,6	100-700	1500	700	3500	7500	2100
FM 1218	12015-01-0018	140	110	79	8	M16	13	125	50	3,7	500-1500	1500	1500	7500	7500	3000
FM 1224	12015-01-0024	200	160	93	10	M24	17	180	75	9,5	1500-3500	3500	3500	17500	10000	7000