

Flexible sliding supports

All-metal type

Stock no. 12001

Description:

- Mounting of flat design
- High static load capacity
- High dynamic load capacity
- High stability
- Resonant frequency: 15-20 Hz

See also

Technical information Mounting examples

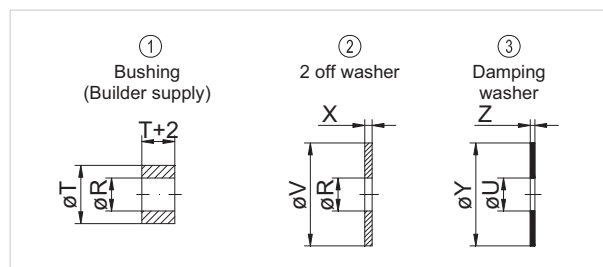
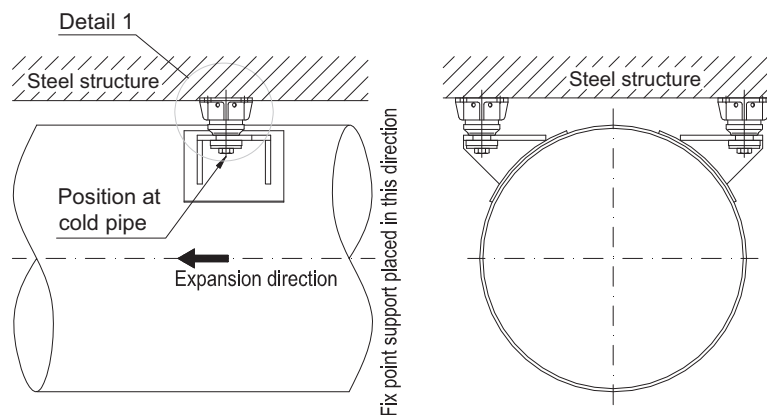
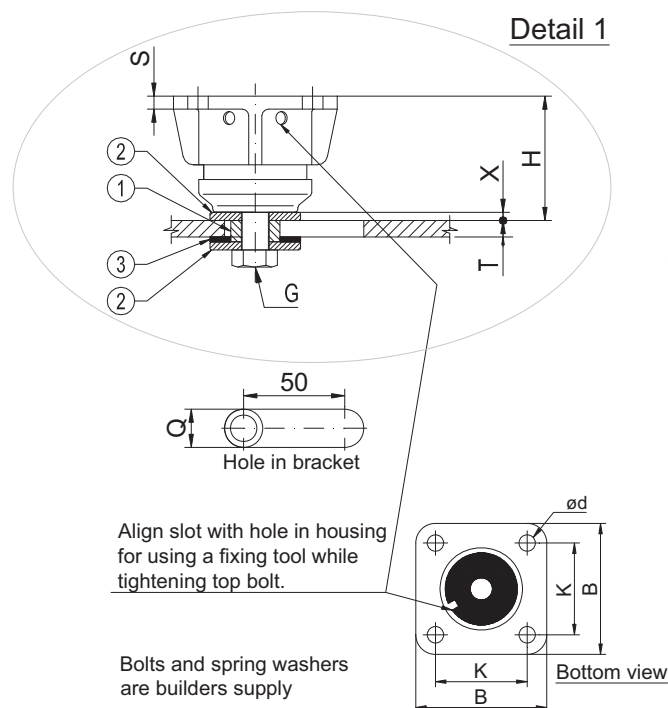
Material:

Housing:

Cast iron, black painted

All-metal cushion:

Stainless steel wire



Mounting instruction:

All bolts must be secured with Loctite 620 or equal.
Loctite 620 is only usable by temperatures lower than 220° C.
Otherwise other alternatives must be used.
Mounting examples see previous pages

Dimensions:

Type no.	Stock No.	B	G	H	S	K	ød	Q	øR	Øt	øU	øV	X	øY	Z	Weight [kg]	Static load [daN]	Max. dyn. load [daN]	
		[mm]		[mm]	[mm]	[mm]	[mm]	[mm]	[mm]	[mm]	[mm]	[mm]	[mm]	[mm]	Compression			Tension	
S 1212	12001-01-0012	80	M12	55	6	64	8,2	26	13	25	26	50	5	60	2	0,67	50 - 250	500	500
S 1216	12001-01-0016	100	M16	75	8	70	12,5	26	17	25	26	50	5	60	2	1,43	50 - 900	3500	3500
S 1218	12001-01-0018	130	M16	90	10	100	13,5	26	17	25	26	100	5	110	2	3,00	250 - 1500	6000	6000
S 1220	12001-01-0020	200	M20	110	10	152	17,0	32	21	30	32	100	10	110	2	9,20	500 - 2500	12500	12500
S 1227	12001-01-0027	220	M27	113	10	170	17,0	40	30	42	44	100	10	110	2	19,70	500 - 7000	22500	22500