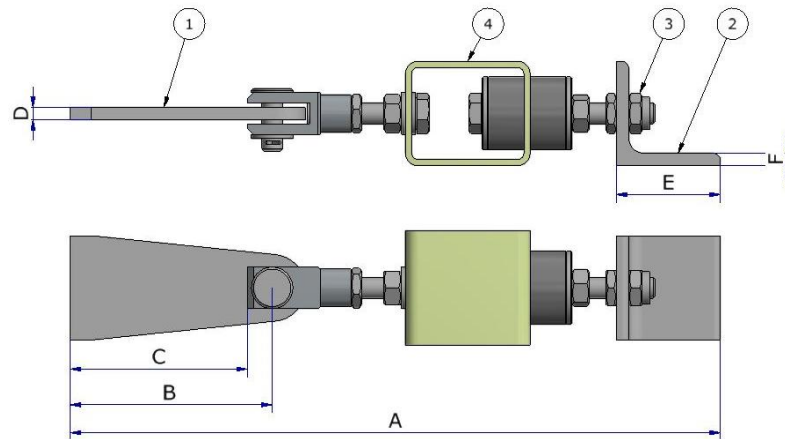


Flexible Suspension with weld Parts

Stock no. 03100



Description:

- Housing: Steel, Galvanized
- Damping elements: Aisi 316
- Resonant frequency 15-20 Hz
- Right/left thread
- Plates / angle bar in S235JR Shopprimed.

Type no.	Drawing no.	Pos.	Description	A	B	C	D	E	F	Max deflection	Static load	Max dyn. Load	Weight
				[mm]	[mm]	[mm]	[mm]	[mm]	[mm]	[mm]	[mm]	[daN]	[daN]
SW 3010-80	03110-02-0080		for 80mm insulation	312	97	85	6	50	6	20	30-150	300	1
SW 3010-80-1		1	Weld plate										
SW 3010-80-2		2	Weld angle										
401736		3	Nut M10 DIN 985 FZB										
S 3010		4	Flexible suspension										
SW 3012-80	03112-02-0080		for 80mm insulation	363	99	85	10	50	6	25	40-200	400	1,5
SW 3012-80-1		1	Weld plate										
SW 3012-80-2		2	Weld angle										
401757		3	Nut M12 DIN 985 FZB										
S 3012		4	Flexible suspension										

Welding Parts mounting Instructions

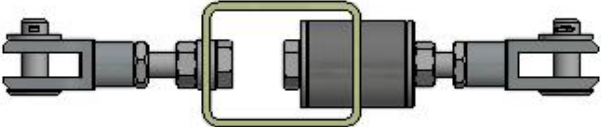
PIPECON

Flexible Suspension with weld Parts

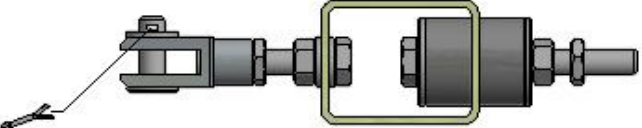
Stock no. 03100

Description:


- Housing: Steel, Galvanized
- Damping elements: Aisi 316
- Resonant frequency 15-20 Hz
- Right/left thread
- Plates / angle bar in S235JR Shopprimed.



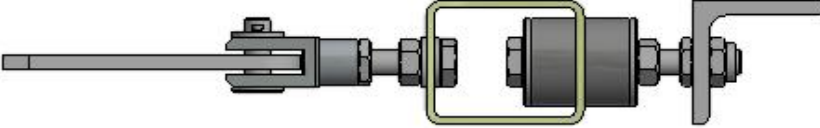
Unscrew the right-hand threaded fork
Damper end.
Unclick clip pin / locking pin
opposite end.



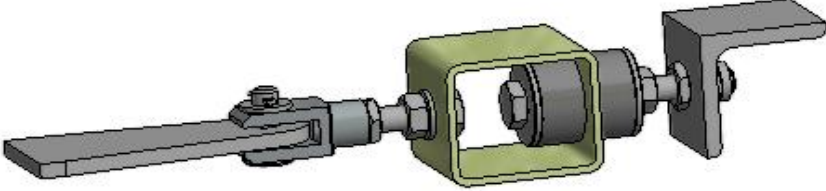
Welding parts to be mounted.



Mount angel plate (pos 2) into place
Damper end.
Adjust it so the whole thread of the
nut (pos 3) is fully engaged on the
threaded bolt.



Put into place welding-Plate (pos 1)
Remount clip pin / locking pin.



If welding plate is too long, please
cut it to appreciate length.

Your flexible suspension is now
ready for welding installation.