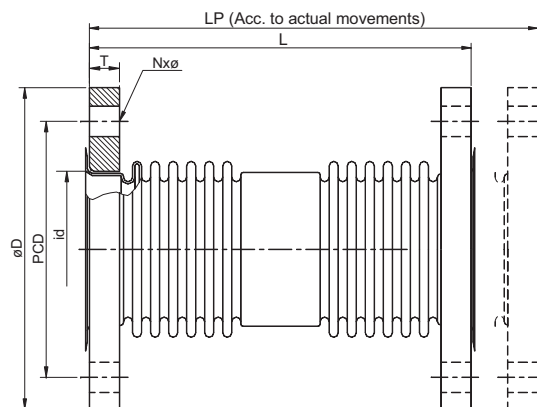


Stock No. 01011-02-xxxx



Stock No. 01021-02-xxxx

PIPECON

**Exhaust gas
expansion joint.**

**Multi-ply bellow
with loose flanges**

Stock no. 01000

ND	Stock No.	L	Movements		Springrate		Weight	Flange dimensions					
			Neutral [mm]	$\Delta Ax.$ +/- [mm]	$\Delta Lat.$ +/- [mm]	Ax. [N/mm]		Lat. [N/mm]	Outer dia (ϕD) [mm]	Inner dia (id) [mm]	PCD [mm]	Holes N x ϕ	T [mm]
100	01011-02-0100	250	65	35	76	28	5,6	220	115,5	180	8x ϕ 18	10	DIN 2576
	01021-02-0100	500	65	120	76	4	6,1						
125	01011-02-0125	250	65	35	73	41	7,6	250	141,5	210	8x ϕ 18	10	DIN 2576
	01021-02-0125	500	65	120	73	6	7,6						
150	01011-02-0150	250	65	30	58	47	9,1	285	170,5	240	8x ϕ 22	10	DIN 2576
	01021-02-0150	500	65	120	66	7	10						
(175)	01011-02-0175	250	70	28	94	102	10,8	315	196	270	8x ϕ 22	10	DIN 2576
	01021-02-0175	500	70	90	102	15	11,9						
200	01011-02-0200	250	70	24	87	121	12	340	221,5	295	8x ϕ 22	10	DIN 2576
	01021-02-0200	500	70	90	94	18	12,5						
250	01011-02-0250	250	65	18	115	282	15,1	375	276	335	12x ϕ 18	16	DIN 86044
	01021-02-0250	500	65	65	116	38	16,8						
300	01011-02-0300	250	65	15	112	388	20	440	327	395	12x ϕ 22	16	DIN 86044
	01021-02-0300	500	65	60	113	49	21,9						
350	01011-02-0350	250	65	15	104	436	25,2	490	359	445	12x ϕ 22	16	DIN 86044
	01021-02-0350	500	65	55	105	52	28						
400	01011-02-0400	250	65	11	171	922	28,7	540	410	495	16x ϕ 22	16	DIN 86044
	01021-02-0400	500	65	50	155	113	31						

Description:

Expansion joint with multi-ply, single or double bellow design with loose (turnable) flanges.

See also

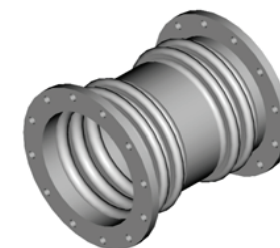
**Technical information
Mounting instruction**

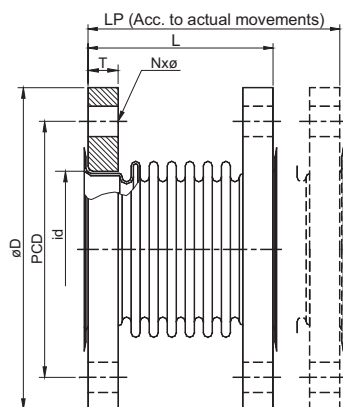
Material:

- Flanges: S235JRG2
- Bellow: EN 1.4541

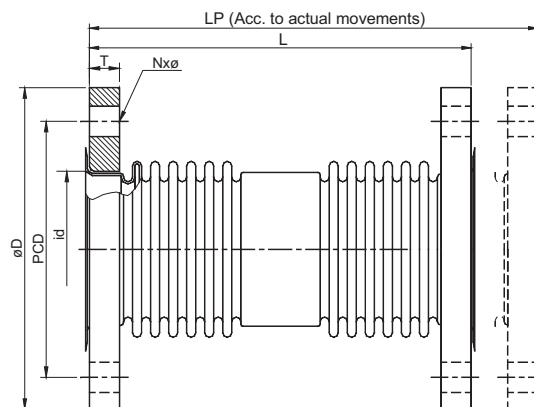
Surface treatment:

- Flanges are protected with oil





Stock No. 01011-02-xxxx



Stock No. 01021-02-xxxx

PIPECON

**Exhaust gas
expansion joint.**

**Multi-ply bellow
with loose flanges**

Stock no. 01000

ND	Stock No.	L	Movements		Springrate		Weight	Flange dimensions					
			Neutral [mm]	ΔAx. +/- [mm]	ΔLat. +/- [mm]	Ax. [N/mm]		Lat. [N/mm]	Outer dia (øD) [mm]	Inner dia (id) [mm]	PCD [mm]	Holes N x ø	T [mm]
450	01011-02-0450	250	65	10	189	1287	33,0	595	461	550	16xø22	16	DIN 86044
	01021-02-0450	500	65	40	171	158	37,9						
500	01011-02-0500	250	65	8	237	1941	34,8	645	512	600	20xø22	16	DIN 86044
	01021-02-0500	500	65	35	208	284	41,2						
550	01011-02-0550	250	65	8	258	2772	49,3	703	563	650	20xø22	20	DIN 86044
	01021-02-0550	500	65	30	227	375	55,5						
600	01011-02-0600	250	65	6	166	2387	53,2	754	614	700	20xø22	20	DIN 86044
	01021-02-0600	500	65	30	139	280	60,2						
650	01011-02-0650	250	65	6	176	2966	57,1	805	665	750	20xø22	20	DIN 86044
	01021-02-0650	500	65	25	147	348	64,6						
700	01011-02-0700	250	65	5	186	3631	61,2	856	716	800	24xø22	20	DIN 86044
	01021-02-0700	500	65	25	145	383	69,4						
750	01011-02-0750	250	65	5	199	4466	65,5	907	767	860	24xø22	20	DIN 86044
	01021-02-0750	500	65	20	153	463	74,2						
800	01011-02-0800	250	65	5	209	5348	69,7	958	818	900	24xø22	20	DIN 86044
	01021-02-0800	500	65	20	161	555	78,9						
850	01011-02-0850	250	65	5	220	6359	73	1010	870	950	28xø22	20	DIN 86044
	01021-02-0850	500	65	20	169	659	82,8						

Description:

Expansion joint with multi-ply, single or double bellow design with loose (turnable) flanges.

See also

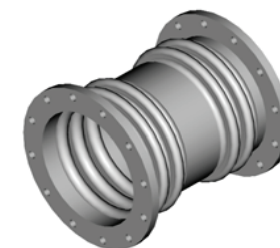
**Technical information
Mounting instruction**

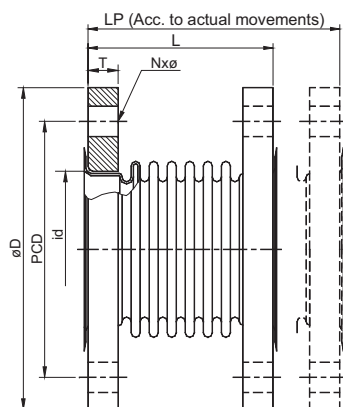
Material:

- Flanges: S235JRG2
- Bellow: EN 1.4541

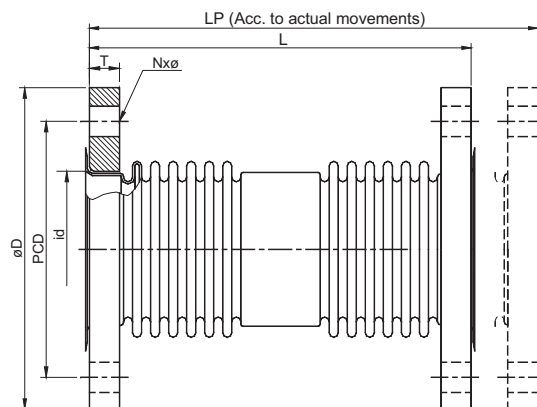
Surface treatment:

- Flanges are protected with oil





Stock No. 01011-02-xxxx



Stock No. 01021-02-xxxx

PIPECON

**Exhaust gas
expansion joint.**

**Multi-ply bellow
with loose flanges**

Stock no. 01000

ND	Stock No.	L	Movements		Springrate		Weight	Flange dimensions					
			Neutral [mm]	$\Delta Ax.$ +/- [mm]	$\Delta Lat.$ +/- [mm]	Ax. [N/mm]		Lat. [N/mm]	Outer dia (øD) [mm]	Inner dia (id) [mm]	PCD [mm]	Holes N x ø	T [mm]
900	01011-02-0900	250	65	5	230	7442	77,7	1060	920	1010	28xø22	20	DIN 86044
	01021-02-0900	500	65	20	177	772	88						
950	01011-02-0950	250	65	5	240	8641	81,8	1110	970	1060	28xø22	20	DIN 86044
	01021-02-0950	500	65	20	185	896	92,3						
1000	01011-02-1000	250	65	5	251	10017	85,7	1162	1022	1110	32xø22	20	DIN 86044
	01021-02-1000	500	65	17	193	1038	95,6						
1050	01011-02-1050	250	65	4	263	11651	86,7	1216	1076	1160	32xø22	20	DIN 86044
	01021-02-1050	500	65	16	220	1358	101,2						
1100	01011-02-1100	250	65	4	272	13186	94,6	1266	1126	1210	32xø22	20	DIN 86044
	01021-02-1100	500	65	15	209	1367	106						
1150	01011-02-1150	250	65	3	284	14998	98,1	1316	1176	1260	36xø22	20	DIN 86044
	01021-02-1150	500	65	15	237	1748	112,4						
1200	01011-02-1200	250	65	3	293	16800	102,4	1366	1226	1310	36xø22	20	DIN 86044
	01021-02-1200	500	65	15	245	1968	116						
1400	01011-02-1400	250	65	3	261	18304	119,6	1566	1426	1510	40xø22	20	DIN 86044
	01021-02-1400	500	65	15	163	1730	132,2						
1600	01011-02-1600	275	75	3	257	18023	137,4	1766	1626	1710	48xø22	20	DIN 86044
	01021-02-1600	600	120	17	129	1864	165						

Description:

Expansion joint with multi-ply, single or double bellow design with loose (turnable) flanges.

See also

**Technical information
Mounting instruction**

Material:

- Flanges: S235JRG2
- Bellow: EN 1.4541

Surface treatment:

- Flanges are protected with oil

