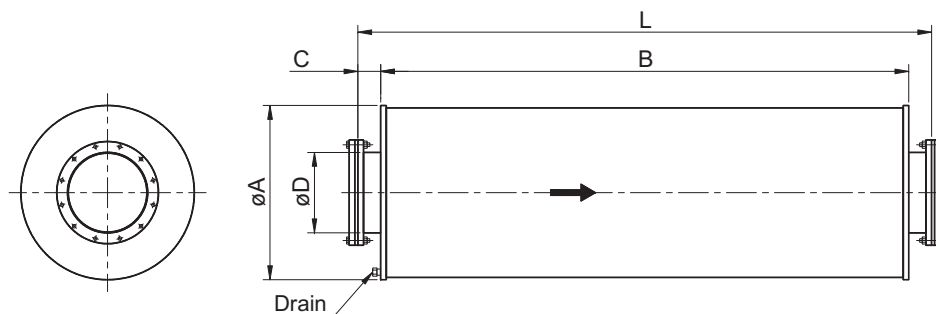


# PIPECON

Exhaust gas silencer  
Reactive/Absorptive  
COM 45

Stock no. 00240



Stock No.	ND	øD [mm]	øA [mm]	B [mm]	L [mm]	C [mm]	Approx. Weight [kg]	Flange dimensions					
								Outer dia [mm]	Inner dia [mm]	PCD [mm]	Bolts NxMxL	T [mm]	Flange standard
00240-01-0065	65	76,1	285	1750	1910	80	50	185	77	145	4-M16x40	10	DIN 2576
00240-01-0080	80	88,9	335	2000	2160	80	69	200	90	160	8-M16x40	10	DIN 2576
00240-01-0100	100	114,3	365	2200	2360	80	85	220	115,5	180	8-M16x40	10	DIN 2576
00240-01-0125	125	139,7	415	2500	2660	80	140	250	141,5	210	8-M16x40	10	DIN 2576
00240-01-0150	150	168,3	470	2800	2960	80	180	285	170,5	240	8-M20x45	10	DIN 2576
00240-01-0175	175	193,7	520	3100	3260	80	228	315	196	270	8-M20x45	10	DIN 2576
00240-01-0200	200	219,1	620	3500	3700	100	325	340	221,5	295	8-M20x45	10	DIN 2576
00240-01-0250	250	273,0	670	4000	4200	100	405	375	276	335	12-M16x50	16	DIN 86044
00240-01-0300	300	323,9	770	4500	4700	100	535	440	327	395	12-M20x60	16	DIN 86044

## Description:

Silencer is delivered with flanges, mating flanges, gaskets and bolts.

See also **technical information**

## Material:

- S235JRG2

## Surface treatment:

- Heat resistant paint

