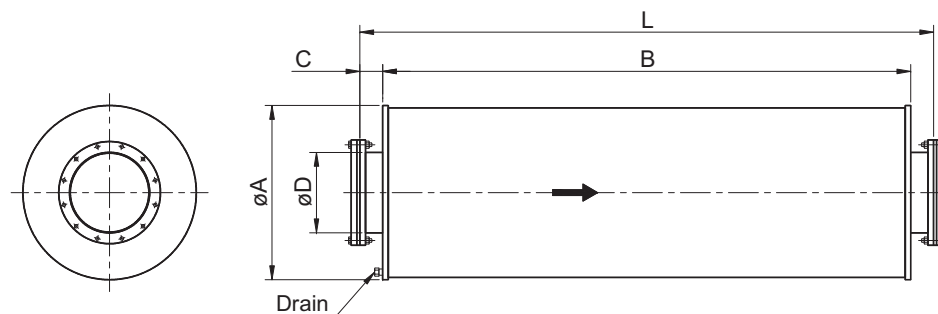


PIPECON

Exhaust gas silencer
Reactive/Absorptive
COM 35



Stock no. 00230

Stock No.	ND	øD [mm]	øA [mm]	B [mm]	L [mm]	C [mm]	Approx. Weight [kg]	Flange dimensions					
								Outer dia [mm]	Inner dia [mm]	PCD [mm]	Bolts NxMxL	T [mm]	Flange standard
00230-01-0065	65	76,1	285	1150	1310	80	38	185	77	145	4-M16x40	10	DIN 2576
00230-01-0080	80	88,9	335	1350	1510	80	59	200	90	160	8-M16x40	10	DIN 2576
00230-01-0100	100	114,3	365	1450	1610	80	65	220	115,5	180	8-M16x40	10	DIN 2576
00230-01-0125	125	139,7	415	1650	1810	80	103	250	141,5	210	8-M16x40	10	DIN 2576
00230-01-0150	150	168,3	470	1900	2060	80	141	285	170,5	240	8-M20x45	10	DIN 2576
00230-01-0175	175	193,7	520	2100	2260	80	175	315	196	270	8-M20x45	10	DIN 2576
00230-01-0200	200	219,1	620	2250	2450	100	233	340	221,5	295	8-M20x45	10	DIN 2576
00230-01-0250	250	273,0	670	2700	2900	100	305	375	276	335	12-M16x50	16	DIN 86044
00230-01-0300	300	323,9	770	3000	3200	100	400	440	327	395	12-M20x60	16	DIN 86044

Description:

Silencer is delivered with flanges, mating flanges, gaskets and bolts.

See also **technical information**

Material:

- S235JRG2

Surface treatment:

- Heat resistant paint

