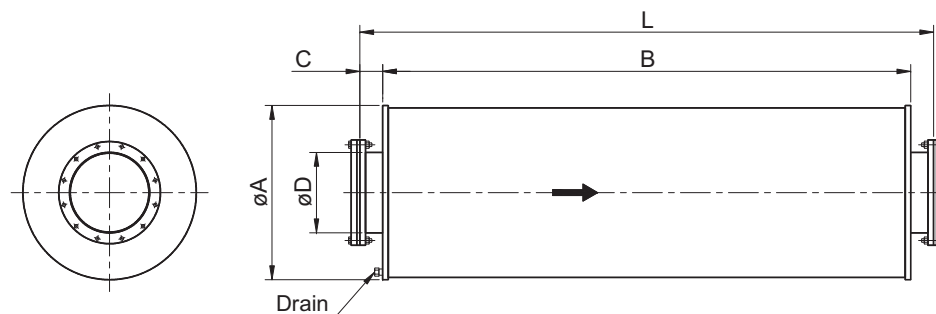


PIPECON

Exhaust gas silencer

Absorptive

ABS 35



Stock no. 00102

Stock No.	ND	øD [mm]	øA [mm]	B [mm]	L [mm]	C [mm]	Approx. Weight [kg]	Flange dimensions					
								Outer dia [mm]	Inner dia [mm]	PCD [mm]	Bolts NxMxL	T [mm]	Flange standard
00102-01-0065	65	76,1	285	1130	1290	80	43	185	77	145	4-M16x40	10	DIN 2576
00102-01-0080	80	88,9	285	1250	1410	80	46	200	90	160	8-M16x40	10	DIN 2576
00102-01-0100	100	114,3	335	1450	1610	80	63	220	115,5	180	8-M16x40	10	DIN 2576
00102-01-0125	125	139,7	365	1600	1760	80	80	250	141,5	210	8-M16x40	10	DIN 2576
00102-01-0150	150	168,3	365	1800	1960	80	95	285	170,5	240	8-M20x45	10	DIN 2576
00102-01-0175	175	193,7	415	2000	2160	80	130	315	196	270	8-M20x45	10	DIN 2576
00102-01-0200	200	219,1	415	2200	2400	100	140	340	221,5	295	8-M20x45	10	DIN 2576
00102-01-0250	250	273,0	570	2400	2600	100	220	375	276	335	12-M16x50	16	DIN 86044
00102-01-0300	300	323,9	670	2750	2950	100	305	440	327	395	12-M20x60	16	DIN 86044

Description:

Silencer is delivered with flanges, mating flanges, gaskets and bolts.

See also **technical information**

Material:

- S235JRG2

Surface treatment:

- Heat resistant paint

